

DEVELOP

Dynamic balance

Product Guide



ineo+ 3351/3851/3851FS

Product Guide ineo+ 3351/3851/3851FS

Revision	Description
2017-01-07 (Version 1.0)	Initial version
2017-01-26 (Version 1.1)	Change face sheet article numbers, PDF/A optional -> same as A3
2017-02-09 (Version 1.2)	Incompatibility KP-101 and KH-P01 added

Since changes in technical features may occur, please note that the technical data provided in this product guide was issued in January 2017. We reserve the right to make changes to the technical design. Specifications refer to maximum performance under standard conditions. No guarantee is provided in relation to any of the data supplied.

Table of contents

Product basics	4
System dimensions.....	5
System configuration	6
System specifications	7
Copier specifications.....	12
Printer specifications.....	15
Scanner specifications	18
Fax specifications (optional)	20
Consumables	21
Article numbers and compatibility	22
Documentation.....	24
Recommended media	27
Appendix	28

Product Guide ineo+ 3351/3851/3851FS

Product basics			
MODEL DEVELOPMENT CODE	Venus MLK 1FS	Venus MLK 1	Venus MLK 2
MODEL NAME	ineo+ 3851FS	ineo+ 3851	ineo+ 3351
SUCCESSOR MODEL FOR	ineo+ 3850FS	ineo+ 3850	ineo+ 3350
ALSO AVAILABLE AS	bizhub C3851FS	bizhub C3851	bizhub C3351
	---	Olivetti d-Color MF3801	Olivetti d-Color MF3301
ESTIMATED SALES START	02/2017		
INFOSOURCE SEGMENT	Colour A4 segment IV (30-49 ppm)		
EXPECTED MONTHLY PAGE VOLUME	6,500		
AVERAGE MONTHLY PAGE VOLUME (COLOUR/MONO)	1,122 / 2,618	1,020 / 2,380	665 / 1,290
MAXIMUM MONTHLY PAGE VOLUME	120,000		96,000
	If the maximum volume is reached within a period of one year, then a maintenance cycle must be performed.		
MACHINE LIFE	400,000 or 5 years (whichever comes first)		
MCBF (Mean Copies Between Failure)	Total	33,712	32,143
	Colour	28,254	26,939
	Mono	36,754	35,044
MCBJ (Mean Copies Between Jam)	≥ 5,000 (with standard paper)		
STANDARD COPY MODE (MONO & COLOUR)	4 pages/job		3 pages/job
STANDARD ORIGINAL DENSITY	5% Mono & Colour		
SAFETY & ENVIRONMENT	Available on Infoportal / CSES		

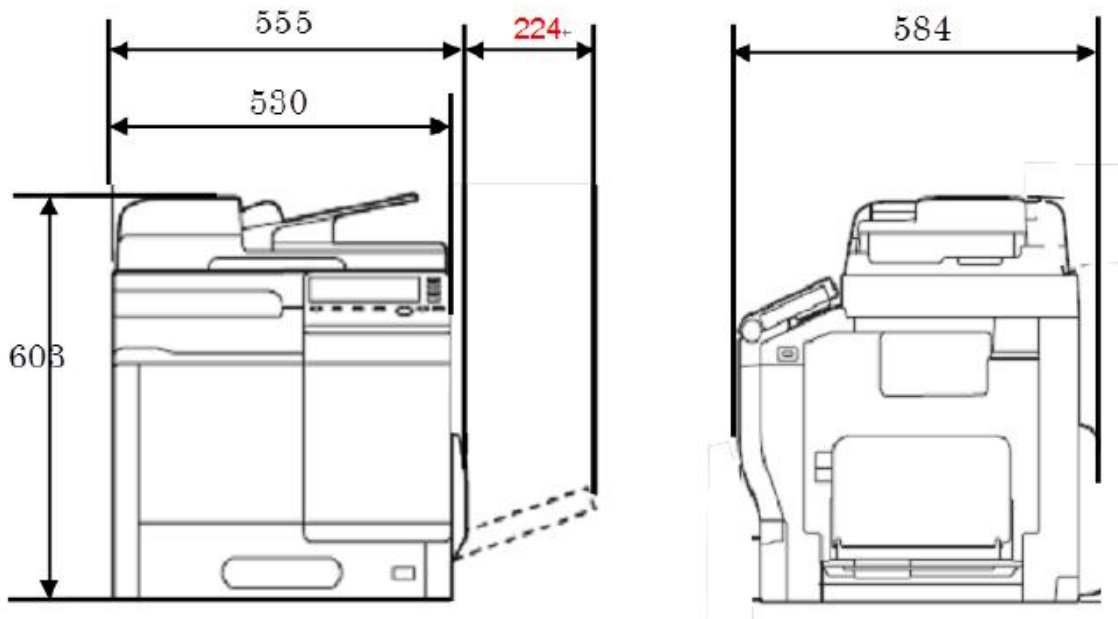
PLEASE NOTICE

Standard paper weight for systems is 80 g/m² for monochrome machines and 90 g/m² for full colour machines. Since using these standards result in optimum system performance, all specifications on performance, reliability, maintenance and replacement based on those standard papers. Using thick papers, labels, transfer and polyester films continuously can increase the wear and tear on replacement parts and consumables – meaning your servicing costs will go up. Use the bypass or the lower tray from the paper feed unit when working with materials having such characteristics as polyester films, textile transfer films and labels. Otherwise, you may be faced with double feeding or a higher number of feeding jams. If possible use subtray when working with materials having such characteristics as polyester films, textile transfer films and labels. Rollermarks on the copy or print may appear or increased jams can occur. Standard paper weights yield the best possible copy and print results. Using higher grammatures may influence the quality of the output. Using standard paper weights also guarantees that double sided copies and prints are made reliably. Different characters of films as well as thick, thin and coated papers may increase the jam rate for double sided copies and prints.

Product Guide ineo+ 3351/3851/3851FS

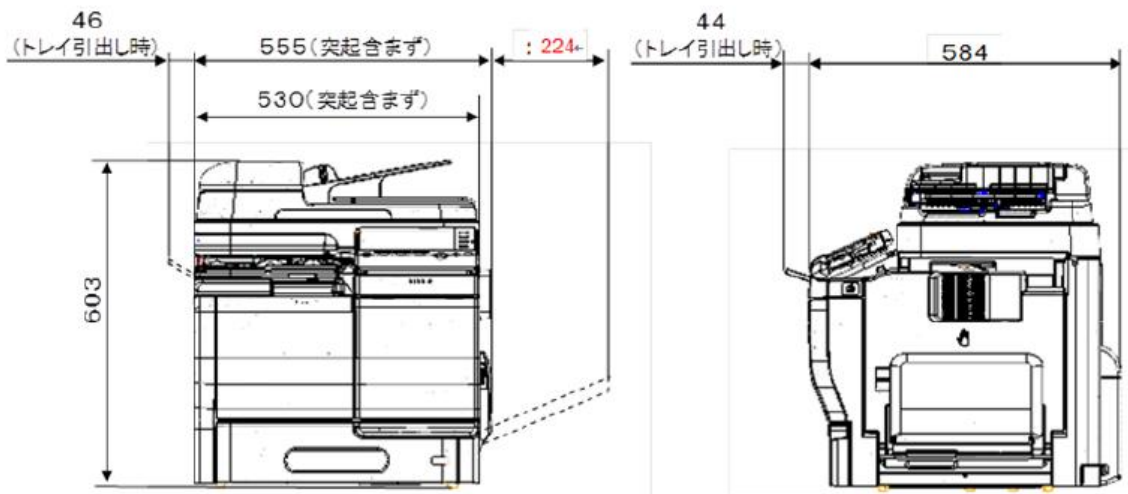
System dimensions

ineo+ 3351/3851 standard configuration (main body):



W x D x H: 555 x 584 x 603 mm

ineo+ 3851FS standard configuration (main body + document feeder + finisher):



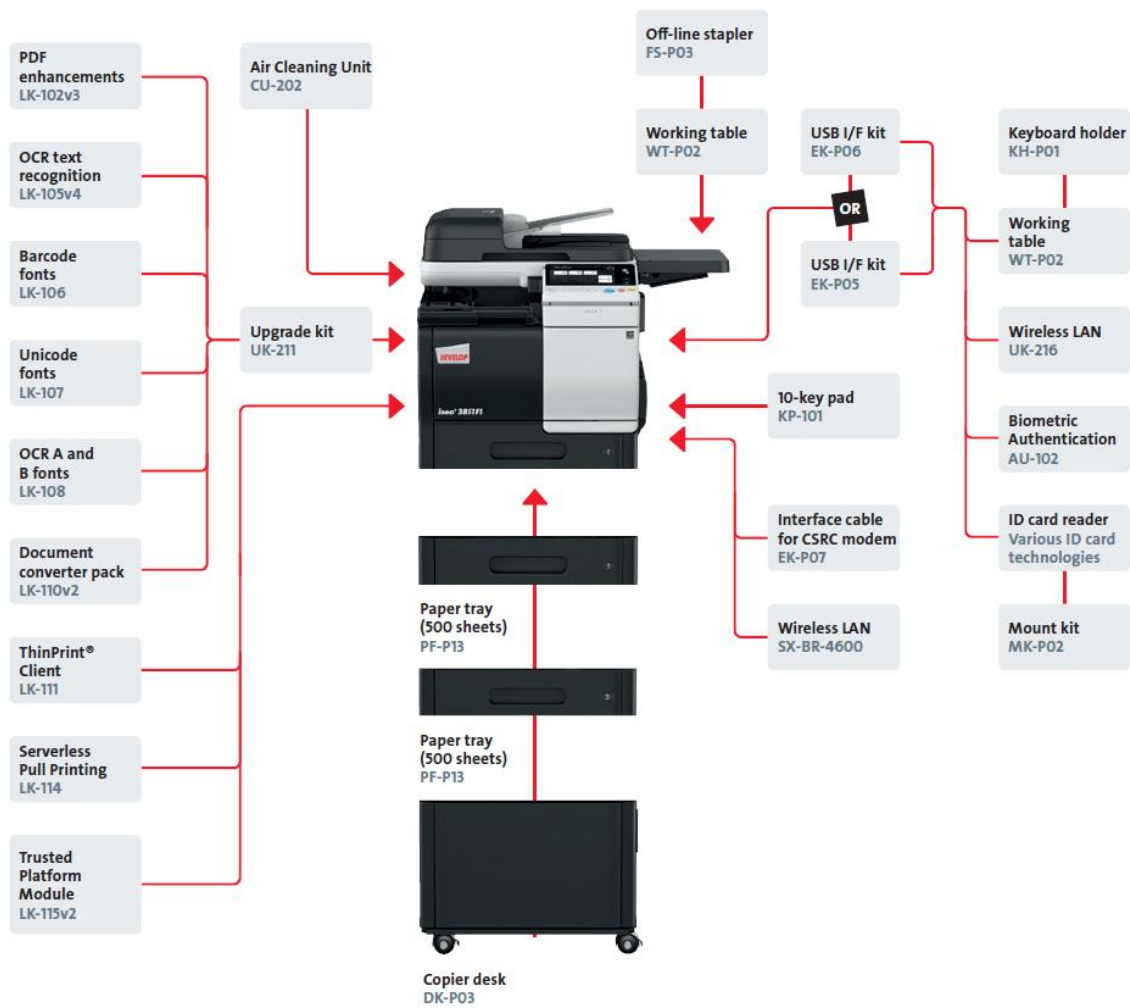
W x D x H: 555 x 584 x 603 mm

Product Guide ineo+ 3351/3851/3851FS

System configuration

Configuration ineo+ 3351/3851/3851FS:

Remark: For ineo+ 3351 fax option FK-517 (mount kit included) is available. For ineo+ 3851/3851FS fax is a standard functionality.



Product Guide ineo+ 3351/3851/3851FS

System specifications	
Reverse automatic document feeder	
STANDARD for ineo+ 3351/3851/3851FS	
Original size	A5 - A4
Original weights	50 - 128 gsm
Tray capacity	50 sheets
Feeding speed	Up to 35 originals/min. (A4)
Standard paper feed tray	
STANDARD for ineo+ 3351/3851/3851FS	
Capacity	1 x 550 sheets (80 gsm)
Paper formats	Width: 100 - 216 mm Length: 148 - 356 mm
Paper weights	60 - 210 gsm
Media type	Please see appendix
Manual bypass tray	
STANDARD for ineo+ 3351/3851/3851FS	
Capacity	100 sheets (80 gsm)
Paper formats	Width: 92 - 216 mm Length: 148 - 356 mm
Paper weights	60 - 210 gsm
Media type	Please see appendix
Automatic duplex unit	
STANDARD for ineo+ 3351/3851/3851FS	
Paper weight	60 - 210 gsm
Paper format	Width: 120 - 216 mm Length: 223 - 356 mm
Integrated finisher	
STANDARD for ineo+ 3851FS	
Functionality	Stapling, Sorting, Grouping, Offset Sorting, Offset Grouping
Staple capacity	50 sheets (90 gsm)
Staples	SK-602
Remark	Finisher is built-in at factory side and therefore not available as an option

Product Guide ineo+ 3351/3851/3851FS

PF-P13 Paper cassette		OPTION
Capacity	1 x 500 sheets (80 gsm)	
Paper formats	A4	
Paper weights	60 - 90 gsm	
Media type	Please see appendix	
Dimensions (W x D x H)	532 x 508 x 142 mm	
Weight	8.5 kg	
Remark	Could be installed up to 2 times	
DK-P03 Simple copy desk		OPTION
Dimensions (W x D x H)	530 x 508 x 436 mm	
Weight	17.3 kg	
Remark	In order to guarantee a safe and stable stand for the device, stability feet are required.	
FS-P03 Off-line stapler		OPTION
Functionality	Stapling (off-line)	
Staple capacity	20 sheets (90 gsm)	
Continuous stapling interval	Once every 2 sec.	
Power supply	From device	
Staples	SK-501	
Dimensions (W x D x H)	109 x 116 x 75 mm	
Weight	1.0 kg	
Remark	Could be installed on working table WT-P02 or separately	
WT-P02 Working table		OPTION
Functionality	For placement of off-line stapler, authentication device or keyboard holder	
KH-P01 Keyboard holder		OPTION
Functionality	To place USB keyboard	
Remark	Requires WT-P02 and EK-P05 or EK-P06. Cannot be installed together with KP-101.	

Product Guide ineo+ 3351/3851/3851FS

KP-101 10-key pad		OPTION
Functionality	Hardware 10-key pad for number entry instead of touch panel	
Remark	Cannot be installed together with KH-P01	
FK-517 Fax board		OPTION FOR ineo+ 3351
Communication	Super G3	
Specifications	Please refer to the chapter "Fax specifications"	
Remark	No mount kit required for installation – bundled with FK-517	
EK-P05 USB I/F kit		OPTION
Functionality	USB keyboard connection	
EK-P06 USB I/F kit		OPTION
Functionality	USB keyboard connection, Bluetooth LE	
ID card authentication unit		OPTION
Functionality	Authentication by contact less ID card	
Remark	For details on available card technologies please refer to the price list. MK-P02 is required for device-embedded installation, WT-P02 for outside placement. In addition EK-P05 or EK-P06 are required for having an additional USB port when having an embedded card reader and not using the outer USB memory port.	
MK-P02 ID card reader mounting kit		OPTION
Functionality	Installation kit for ID card reader (device integrated behind front cover)	
UK-216 Wireless LAN		OPTION
Functionality	Wireless LAN and wireless LAN Access Point Mode. Needed in order to integrate the ineo+ 3351/3851/3851FS into existing wireless network environments.	
Remark	Required for ineo Remote Access on Android and iOS and for wireless LAN Access Point Mode.	
LK-102 i-Option license		OPTION
Functionality	PDF/A, PDF encryption, digital signature	
Remark	Requires UK-211 memory extension	

Product Guide ineo+ 3351/3851/3851FS

LK-105 i-Option license		OPTION
Functionality	Searchable PDF and PPTX, PDF/A (1a)	
Remark	Requires UK-211 memory extension	
LK-106 i-Option license		OPTION
Functionality	Additional barcode fonts	
Remark	Requires UK-211 memory extension	
LK-107 i-Option license		OPTION
Functionality	Additional Unicode fonts	
Remark	Requires UK-211 memory extension	
LK-108 i-Option license		OPTION
Functionality	Additional OCR fonts	
Remark	Requires UK-211 memory extension	
LK-110 i-Option license		OPTION
Functionality	Generates various file formats incl. DOCX, XLSX and PDF/A	
Remark	Requires UK-211 memory extension	
LK-111 i-Option license		OPTION
Functionality	ThinPrint connectivity	
LK-114 i-Option license		OPTION
Functionality	Serverless Pull Printing	
Remark	Secure and Follow Me printing solution requiring no server application. Host device requires 4 GB memory. (Available from April 2017)	
LK-115 i-Option license		OPTION
Functionality	Trusted Platform Module for protection of data encryption and decryption	
EK-P07 Interface cable		OPTION
Functionality	Required for installation of CSRC GPRS modem	

Product Guide ineo+ 3351/3851/3851FS

UK-211 2 GB Memory Extension		OPTION
Functionality	2 GB Memory Extension <ul style="list-style-type: none"> • for faster processing • for using the full IWS and Webbrowser functionality • for using LK-102/LK-105/LK-106/LK-107/LK-108/LK-110/LK-114 (if host system) 	
SX-BR-4600 Wireless LAN		OPTION
Functionality	External LAN to Wifi box.	
AU-102 Biometric authentication		OPTION
Functionality	Finger vein scanner	
CU-202 Air cleaning unit		OPTION
Functionality	Improving indoor air quality by reduced emissions	

Product Guide ineo+ 3351/3851/3851FS

Copier specifications			
	ineo+ 3851FS	ineo+ 3851	ineo+ 3351
OPERATION PANEL	7" TFT colour LCD WVGA (electrostatic touch panel)		
WARM-UP TIME			
From power-switch on to ready for print	less than 20 sec.		
From sleep return until ready for print	less than 20 sec.		
From deep sleep return until ready for print	less than 21 sec.		
FIRST COPY			
Colour (sec. or less)	9.2	7.1	9.1
B/W (sec. or less)	8.3	6.2	8.1
COPY SPEED			
A4 simplex (plain paper)	38 ppm		33 ppm
A4 simplex (thick paper)	19 ppm		19 ppm
A4 duplex (plain paper)	38 ppm		33 ppm
A4 duplex (thick paper)	19 ppm		19 ppm
COPY PRODUCTIVITY (WHEN USING ADF SIMPLEX-TO-SIMPLEX)			
A4 simplex (plain paper)	35 ppm		33 ppm
A4 simplex (thick paper)	19 ppm		19 ppm
SCAN RESOLUTION	600 x 600 dpi		
COPY-OUT RESOLUTION	600 x 600 dpi		
MEMORY	2 GB std. / max 4 GB		
HDD	250 GB std. (real size)		
GRADATION / COLOURS	256 gradations		
ZOOM	Variable 25 - 400 %, adjustable in 0,1% steps (3 zoom memories)		

Product Guide ineo+ 3351/3851/3851FS

MULTI COPY	1 – 9,999 pages
IMAGE LOSS (COPY)	Leading edge: 4 ±2 mm Trailing edge: 4 ±2 mm Both sides: 4 ±2 mm
POWER REQUIREMENT	220 - 240 V / 50-60 Hz
MAX. POWER CONSUMPTION	< 1.7 kW
MACHINE DIMENSIONS (W x D x H)	555 x 584 x 603 mm (main body)
MACHINE WEIGHT	ineo+ 3351: 49.2 kg ineo+ 3851: 49.2 kg ineo+ 3851FS: 53.1 kg (main body including toner, imaging units and waste toner bottle)
PAPER OUTPUT CAPACITY	ineo+ 3351/3851: 250 sheets (plain paper) ineo+ 3851FS: 250 sheets (plain paper) or 10 sheets (envelopes, labels, letterhead, coated paper, thick paper)
PAPER INPUT CAPACITY	Std.: 650 sheets (2-way) Max.: 1,650 sheets (4-way, optional)
COPY FUNCTIONS	
Electronic sorting	yes
Multi job (interrupt)	yes
Adjustments	Contrast Saturation Brightness Sharpness Image density Colour balance
Next job reservation	yes
Proof copy	yes
Interrupt mode	yes
Colour mode / Colour selections	yes (Auto, Full colour, Black, 2-Colour)
Media selection	yes (Media size selections / Media type selections)
Magnification selection	yes (Auto, Full-size, Minimal, XY zoom, Pre-set zoom, Manual)
Simplex / Duplex selection	yes
Separate scan	yes
Sort / Group	yes / yes

Product Guide ineo+ 3351/3851/3851FS

Combination	yes (2-in-1, 4-in-1, 8-in-1)
Original selection	yes (Mixed original, Original direction, Original bind selection, Page bind selection)
Original type settings	yes (Text, Text & Photo, Photo)
Background adjustment	yes (manual 9 levels)
Copy density adjustment	yes (manual 9 levels)
Page margin	yes
Frame erase	yes
ID card copy	yes

Product Guide ineo+ 3351/3851/3851FS

Printer specifications				
		ineo+ 3851FS	ineo+ 3851	ineo+ 3351
CPU		1.2 GHz (ARM Coretex Dual Core)		
PRINT SPEED				
A4 simplex (plain paper)		38 ppm		33 ppm
A4 simplex (thick paper)		17 ppm	19 ppm	
A4 duplex (plain paper)		38 ppm		33 ppm
A4 duplex (thick paper)		19 ppm		
PRINT RESOLUTION		Default mode: 600 x 600 dpi High-definition mode: 1200 x 1200 dpi (reduced speed, same as thick paper simplex)		
PAGE DESCRIPTION LANGUAGE (PDL)		PCL5e/c; PCL 6 (XL Ver. 3.0); PostScript 3 (3016); XPS Ver. 1.0; PPML/GA2.2; PPML VDX; PDF1.7; OOXML (docx/xlsx/pptx)		
PRINT RAM		2 GB std. / max. 4 GB (real size)		
TEC		1.95 kWh		1.74 kWh
POWER CONSUMPTION	SLEEP MODE	0.5 kWh		
	READY MODE	82 W	78 W	77 W
	READY MODE (energy-save)	78.2 W	75.2 W	76.5 W
	PLUG-IN MODE	0.01 W		
	PRINT	590 W		550 W
ACOUSTICS	READY MODE	tbd	tbd	tbd
	PRINT B/W	tbd	tbd	tbd
	PRINT COLOUR	tbd	tbd	tbd
PRINT HDD		250 GB std. (real size)		
FONTS				
PCL		80 fonts		
PostScript3		137 fonts		
HOST INTERFACES				
10Base-T/100Base-TX/1000 Base-T Ethernet		yes (std.)		
USB 2.0		yes (std.)		
USB host		yes (std., for USB direct printing)		
Wi-Fi 802.11b/g/n (optional)		yes (optional)		

Product Guide ineo+ 3351/3851/3851FS

NETWORK PROTOCOLS	
TCP/IP (IPv4, IPv6)	yes
SMB	yes
LPD	yes
IPP	yes
SNMP	yes
HTTP	yes
HTTPS	yes
SUPPORTED OS	
Windows Vista (32/64)	yes
Windows 7 (32/64)	yes
Windows 8 (32/64)	yes
Windows 10 (32/64)	yes
Windows Server 2003 (32/64)	no
Windows Server 2003 R2 (32/64)	no
Windows Server 2008 (32/64)	yes
Windows Server 2008 R2 (64)	yes
Windows Server 2012 (64)	yes
Windows Server 2012 R2 (64)	yes
Windows Server 2016 (64)	yes
Macintosh OS X	yes (Ver. 10.8.2 or later)
Linux	yes (Red Hat Enterprise Linux 5 or later)
Citrix	yes
IMAGE LOSS (PRINT)	Leading edge: 4 ±2 mm Trailing edge: 4 ±2 mm Both sides: 4 ±2 mm

Product Guide ineo+ 3351/3851/3851FS

PRINT FUNCTIONS	
Date stamp	yes
Distribution numbering	yes
Edge / Frame erase	yes
Image insertion	yes
Image repeat	yes (2 repeats)
Image shift	yes
Image rotation	yes
Job accounting	yes
Non-image area erase	yes
OHP interleaving	yes
Overlay	yes
Page insertion	yes
Page stamp	yes
Proof print	yes
Stamp	yes
Watermark	yes
Tab print	yes
N-up	yes
MOBILE PRINTING	
Airprint (iOS)	yes
Mopria (Android)	yes
Google Cloud Print (optional)	yes
WiFi direct (optional)	yes
Konica Minolta Print Service (Android)	yes
PageScope Mobile (iOS, Android and Windows 10Mobile)	yes
NFC & Bluetooth LE Authentication (Android & iOS)	yes

Product Guide ineo+ 3351/3851/3851FS

Scanner specifications	
SCAN FUNCTIONS	
Scan-to-eMail	yes
Scan-to-SMB	yes
Scan-to-FTP	yes
Scan-to-HDD	yes
Scan-to-USB	yes
Scan-to-WebDAV	yes
Network TWAIN scan	yes
SCAN SPEED	Up to 35 ipm (via ADF)
COLOUR SCANNING CAPABILITY	yes
MAX. SCAN ORIGINAL SIZE	A4
Flatbed	Max. 215.9 x 355.6 mm
ADF	Max. 215.9 x 355.6 mm
SCAN RESOLUTION	Push: 200 / 300 / 400 / 600 dpi Pull: 200 / 300 / 400 / 600 dpi
SCAN FORMAT	TIFF, PDF, CompactPDF, Encrypted PDF, JPEG, XPS Optional: PDF/A (1B)
PROTOCOLS	TCP/IP (FTP, SMB, SMTP , WebDAV) TCP Socket WSD
SUPPORTED OS	
Windows 7 (32/64)	yes
Windows 8 (32/64)	yes
Windows 10 (32/64)	yes
Macintosh OS X	yes (Ver. 10.3 or later)
SCANNER DRIVER	TWAIN driver

Product Guide ineo+ 3351/3851/3851FS

FURTHER SCAN FEATURES	
Colour mode	Auto colour, Full colour, Grey scale, B/W
Background removal	yes (manual)
Original image type selections	yes (Text, Text/Photo, Photo)

Product Guide ineo+ 3351/3851/3851FS

Fax specifications (optional for ineo+ 3351)

Communication	Super G3
Compatible lines	Public switch telephone network, private branch exchange, fax communication line
Line density	600 x 600 dpi (ultra fine) 400 x 400 dpi (super fine) 200 x 200 dpi (fine)
Max. modem speed	2.4 – 33.6 kbps
Compression	MH, MR, MMR, JBIG
Transmission size	Flatbed: max. 215.9 x 355.6 mm ADF: max. 215.9 x 1,000 mm
Receiving size	Max. A4 (max. 1,000 mm, printed according page partition setting)
Transmission speed	Less than 3 sec. (A4, V.34, 33.6 kbps, JBIG)
Fax destinations	2,100 (2,000 single + 100 group)
i-Fax	yes
PC-fax	yes
Fax features	Program, Select from address book, Group dial program, Auto redial, Original type (Text, Text/Photo, Photo), Density, Memory/Quick TX, Busy/Error redial, Broadcast TX, Timer TX, Confidential TX/RX, Relay TX request, Polling TX/RX, Original bind direction/Paper bind direction, Frame Erase TX, TX Original size setting, Mixed original TX, ECM OFF, V34 OFF TX, Password TX, Memory RX, Memory vicarious execution RX, Password RX, Call rejection, Confidential print, Auto reduction print, Full size print, TEL/FAX auto switch, Audio response, Answering machine connection, Number display, Dial-in, Vicarious execution forward, Remote RX, Night-time receiving user box destination setting, Communication activity report, TX result report, Broadcast result TX report, Broadcast result RX report, Confidential RX report, Various lists, 2-sided record, Banner paper original TX/RX, TSI routing, Prevention of mistransmission

Product Guide ineo+ 3351/3851/3851FS

Consumables		
TONER BLACK		
Name	TN-P49K	
Concept	Cartridge system	
Yield	13,000 (5% coverage)	
Units per box	1 cartridge	
TONER COLOUR (C/M/Y)		
Name	TN-P49C/M/Y	
Concept	Cartridge system	
Yield	12,000 (5% coverage)	
Units per box	1 cartridge	
IMAGING UNIT (C/M/Y)		
Name	IU-P24C/M/Y	
SFV Yield	30,000 (ineo+ 3351) [@ 3 pages] 30,000 (ineo+ 3851/3851FS) [@ 4 pages/job]	
R&D Yield	50,000 (ineo+ 3351) [@ 1 page/job] 60,000 (ineo+ 3851/3851FS) [@ 1 page/job]	
Units per box	1	
IMAGING UNIT (K)		
Name	IU-P24K	
SFV Yield	50,000 (ineo+ 3351) [@ 3 pages/job CMYK] 60,000 (ineo+ 3851/3851FS) [@ 4 pages/job CMYK]	
R&D Yield	60,000 (ineo+ 3351) [@ 3 pages/job K & 1 page/job CMY] 70,000 (ineo+ 3851/3851FS) [@ 4 pages/job K & 1 page/job CMY]	
Units per box	1	
STAPLE CARTRIDGE		
Optional finisher	Name	SK-501
	Compatible finisher	FS-P03
	Quantity per sales unit	5 cartridges of 1,000 staples
Integrated finisher	Name	SK-602
	Compatible finisher	Integrated finisher (standard for ineo+ 3850FS)
	Quantity per sales unit	
TRANSFER BELT / ROLLER		
SFV Yield	120,000 (ineo+ 3351) 150,000 (ineo+ 3851/3851FS)	
R&D Yield	150,000 (ineo+ 3351) 180,000 (ineo+ 3851/3851FS)	
FUSING UNIT		
SFV Yield	105,000 (ineo+ 3351) 135,000 (ineo+ 3851/3851FS)	
R&D Yield	120,000 (ineo+ 3351) 150,000 (ineo+ 3851/3851FS)	
TONER FILTER		
Yield	150,000 (ineo+ 3351) 180,000 (ineo+ 3851/3851FS)	
WASTE TONER BOX		
Name	WB-P05	
Yield	B/W: 36,000 Colour: 9,000	

Product Guide ineo+ 3351/3851/3851FS

Article numbers and compatibility		
Machine	Article number	Compatibility
ineo+ 3351	A92F121	---
ineo+ 3851	A92E121	---
ineo+ 3851FS	A92G121	---
Accessories	Article number	Compatibility
PF-P13 Paper feed cassette	A4Y6WY2	ineo+ 3350/3850/3850FS ineo+ 3351/3851/3851FS
DK-P03 Copy desk	9967002766	ineo+ 3350/3850/3850FS ineo+ 3351/3851/3851FS
FK-517 Fax board	AA1K021	ineo+ 3351
EK-P05 USB host board	A9FVWY1	ineo+ 3351/3851/3851FS
EK-P06 USB host board + Bluetooth	A9FRWY1	ineo+ 3351/3851/3851FS
MK-P02 Mount kit for ID card reader	A732WY1	ineo+ 3350/3850/3850FS ineo+ 3351/3851/3851FS
WT-P02 Working table	A6VCWY2	ineo+ 3350/3850/3850FS ineo+ 3351/3851/3851FS
EK-P07 Interface cable for CSRC	A9M4WY1	ineo+ 3351/3851/3851FS
LK-102v3 i-Option licence	A0PDW26	ineo+ 3351/3851/3851FS ineo+ 258-658 ineo 308-558 [and other MFP series]
LK-105v4 i-Option license	A0PDW2T	ineo+ 3351/3851/3851FS ineo+ 258-658 ineo 308-558 [and other MFP series]
LK-106 i-Option licence	A0PDW29	ineo+ 3351/3851/3851FS ineo+ 258-658 ineo 308-558 [and other MFP series]
LK-107 i-Option licence	A0PDW2F	ineo+ 3351/3851/3851FS ineo+ 258-658 ineo 308-558 [and other MFP series]
LK-108 i-Option licence	A0PDW2G	ineo+ 3351/3851/3851FS ineo+ 258-658 ineo 308-558 [and other MFP series]
LK-110v2 i-Option license	A0PDW2U	ineo+ 3351/3851/3851FS ineo+ 258-658 ineo 308-558 [and other MFP series]
LK-111 i-Option licence	A0PDW2K	ineo+ 3351/3851/3851FS ineo+ 258-658

Product Guide ineo+ 3351/3851/3851FS

		ineo 308-558 [and other MFP series]
LK-114 i-Option license	tbd	ineo+ 3351/3851/3851FS ineo+ 258-658 ineo 308-558 [and other MFP series]
LK-115v2 i-Option license	A0PDW2V	ineo+ 3351/3851/3851FS ineo+ 258-658 ineo 308-558 [and other MFP series]
KP-101 10-key pad	A64TWY3	ineo+ 3351/3851/3851FS ineo+ 258-658 ineo 308-558 [and other MFP series]
FS-P03 Off-line stapler	A6VDWY1	ineo+ 3350/3850/3850FS ineo+ 3351/3851/3851FS
UK-211 2 GB Memory extension	9967004026	ineo+ 3351/3851/3851FS ineo+ 227/C287/ C308/C368 ineo 227/287/367
UK-216 Wireless LAN	AA1MWY2	ineo+ 3351/3851/3851FS
SX-BR-4600 Wireless LAN	9967002640	ineo+ 3351/3851/3851FS ineo+ 227/287/308/368 ineo+ 258-658 ineo 308-558 [and other MFP series]
CU-202 Air filter	A9M5W21	ineo+ 3351/3851/3851FS
KH-P01 Keyboard holder	A9M3WY1	ineo+ 3351/3851/3851FS
AU-102 Biometric authentication	A0X9WY1	ineo+ 3351/3851/3851FS ineo+ 227/287 ineo+ 258-658 ineo 308-558 [and other MFP series]
Consumables	Article number	Compatibility
TN-P49C Toner C	A95W4D0	ineo+ 3351/3851/3851FS
TN-P49M Toner M	A95W3D0	ineo+ 3351/3851/3851FS
TN-P49Y Toner Y	A95W2D0	ineo+ 3351/3851/3851FS
TN-P49K Toner K	A95W1D0	ineo+ 3351/3851/3851FS
IU-P24C Imaging Unit C	A95X1HK	ineo+ 3351/3851/3851FS
IU-P24M Imaging Unit M	A95X1CK	ineo+ 3351/3851/3851FS
IU-P24Y Imaging Unit Y	A95X16K	ineo+ 3351/3851/3851FS
IU-P24K Imaging Unit K	A95X11K	ineo+ 3351/3851/3851FS
WB-P05 Waste toner bottle	A4Y5WY1	ineo+ 3350/3850/3850FS ineo+ 3351/3851/3851FS
SK-501 Staples for FS-P03	A6Y8WY1	ineo+ 3350/3850/3850FS ineo+ 3351/3851/3851FS ineo 4050/4750

Product Guide ineo+ 3351/3851/3851FS

SK-602 Staples for integrated finisher	14YK	ineo+ 3850FS/3851FS ineo+ 258-658 ineo 308-558 [and other MFP series]	
Documentation			
Face sheets	Article number		
en	9969385200		✓
de	9969385201		✓
fr	9969385202		✓
es	9969385203		✓
it	9969385204		✓
pt	9969385205		✓
nl	9969385206		✓
da	9969385207		✓
sv	9969385208		✓
no	9969385209		✓
fi	9969385210		✓
el	9969385211		✓
tr	9969385213		✓
cs	9969385215		✓
hu	9969385218		✓
pl	9969385221		✓
ro	9969385222		✓
ru	9969385223		✓
sk	9969385224		✓

Product Guide ineo+ 3351/3851/3851FS

Legal Required Information (LRI)	Article numbers & Availability	
en	4821385200	✓
de	4821385201	✓
fr	4821385202	✓
es	4821385203	✓
it	4821385204	✓
pt	4821385205	✓
nl	4821385206	✓
da	4821385207	✓
no	4821385209	✓
fi	4821385210	✓
el	4821385211	✓
tr	4821385213	✓
cs	4821385215	✓
hu	4821385218	✓
pl	4821385221	✓
ro	4821385222	✓
ru	4821385223	✓
sk	4821385224	✓

Product Guide ineo+ 3351/3851/3851FS

Quick Guides	Availability	Remark
en	✓	Digital version (PDF) on the DVD.
de	✓	
fr	✓	
es	✓	
it	✓	
pt	✓	
nl	✓	
Da	✓	
Sv	✓	
No	✓	
fi	✓	
el	✓	
tr	✓	
Cs	✓	
hu	✓	
pl	✓	
ro	✓	
ru	✓	
sk	✓	

User Guides	Contents	Remarks
en	Advances functions	Digital version (PDF) on the DVD. There is no Online User Guide (http version) available.
	Applied functions	
de	Copy	
	Description utility keys	
fr	Fax	
	Introduction	
	Network fax	
es	PC-Fax	
	Print	
	Scan	
it	Troubleshooting	

Product Guide ineo+ 3351/3851/3851FS

Recommended media		
	Remark	Article number
PAPER		
Konica Minolta Color +	A4, 90 gsm	9966131000
Konica Minolta Original	A4, 80 gsm	9960612000
Color Copy	Mondi, A4, 100/160/200 gsm	---
Color Copy Style	Mondi, A4, 100/160/200 gsm	---
Trend White 80 (Recycling paper)	Steinbeis, A4, 80 gsm	---
NAUTILUS (Environmental paper)	Mondi, A4, 80 gsm	---
NAUTILUS Super White (Environmental paper)	Mondi, A4, 80 gsm	---
BIO TOP 3 extra (Environmental paper)	Mondi, A4, 80 gsm	---
Color Copy Coated Glossy/Silke (Coated paper)	Mondi, A4, 135 gsm	
ENVELOPES		
Torgau-Kuvert (DIN DL)	Torgau offset white, DIN DL (110x220 mm), 80 gsm, Torgau P/N 227410	---
ELCO (DIN C6)	Elco proclima, DIN C6 (114x162 mm), 100 gsm, ELCO P/N 38686	---
Papyrus (DIN C6)	First Class white, DIN C6 (114x162 mm), 80 gsm, Papyrus P/N 88026072	---

Product Guide ineo+ 3351/3851/3851FS

Appendix

Paper weights and sizes to be used

Source	Capacity (80 gsm)	Size	Weight (gsm)
Tray 1	550 sheets	A4 – A6	60 – 210
Bypass tray	100 sheets	A4 – A6 Width: 92 x 216 mm Length: 148 x 356 mm	60 – 210
Duplex unit	n/a	A4	60 – 210
PF-P13	500 sheets	A4	60 – 90

Media type tray support

Media type	Bypass tray	Tray 1	PF-P13	Duplex unit
Plain paper (60-90 gsm)	yes	yes	yes	yes
Recycle paper (60-90 gsm)	yes	yes	yes	yes
Single side only paper (60-90 gsm)	yes	yes	yes	n/a
Thick paper 1 (91-120 gsm)	yes (20 sheets)	yes (20 sheets)	n/a	yes
Thick paper 1+ (121-157 gsm)	yes (20 sheets)	yes (20 sheets)	n/a	yes
Thick paper 2 (158-210 gsm)	yes (20 sheets)	yes (20 sheets)	n/a	yes
Coated paper 1+ (121-157 gsm)	yes (20 sheets)	yes (20 sheets)	n/a	n/a
Coated paper 1 (100-128 gsm)	yes (20 sheets)	yes (20 sheets)	n/a	n/a
Coated paper 2 (158 gsm)	yes (20 sheets)	yes (20 sheets)	n/a	n/a
Envelopes	yes (10 sheets)	yes (30 sheets)	n/a	n/a
Label sheets	yes (20 sheets)	yes (20 sheets)	n/a	n/a
Postcards	yes (20 sheets)	yes (20 sheets)	n/a	n/a

Product Guide ineo+ 3351/3851/3851FS

Media type support for ineo+ 3851FS integrated finisher

Media type	Sort/Group (250 sheets)	Offset-sort/ Offset/group (250 sheets)	Staple (250 sheets or 25 sets)
Plain paper (60-90 gsm)	Yes	Yes	Yes
Recycle paper (60-90 gsm)	Yes	Yes	Yes
Single side only paper (60-90 gsm)	Yes	Yes	Yes
Thick paper 1 (91-120 gsm)	Yes (10 sheets)	---	---
Thick paper 1+ (121-157 gsm)	Yes (10 sheets)	---	---
Thick paper 2 (158-210 gsm)	Yes (10 sheets)	---	---
Coated paper 1+ (121-157 gsm)	Yes (10 sheets)	---	---
Coated paper 1 (100-128 gsm)	Yes (10 sheets)	---	---
Coated paper 2 (158 gsm)	Yes (10 sheets)	---	---
Envelopes	Yes (10 sheets)	---	---
Label sheets	Yes (10 sheets)	---	---
Postcards	Yes	Yes	Yes

Product Guide ineo+ 3351/3851/3851FS

Applications	
HDD Twain Driver	yes
Real Time Mode TWAIN Driver	yes
Direct Print	yes
Box Operator	yes
Print Status Notifier	yes
Data Administrator	yes
HDD Backup Utility	yes
Copy Protection Utility	yes
Font Management Utility	yes
Log Management Utility	yes
Download Manager	yes
Driver Packaging Utility	yes
Print Utility for UNIX	yes
ineo Remote Care	yes
Remote Panel	yes
Panel Customization Tool	yes
License Install Utility	yes
Net Care Device Manager	yes
Device Plug-In for Enterprise Suite	yes
Authentication Manager	yes
Account Manager	yes
My Panel Manager	yes
My Print Manager	yes

Product Guide ineo+ 3351/3851/3851FS

What is delivered with the machine?

	Packed at factory	Added in Europe
Toner CMYK	yes (full capacity)	-
Imaging units CMYK	yes (full capacity)	-
Waste toner bottle	yes	-
Legal Required Information (LRI)	-	yes (printed)
DVD with drivers & user guides	-	yes
Face sheets	-	yes
Telephone line cable	no	
USB cable	no	
Power cord	yes	

Product Guide ineo+ 3351/3851/3851FS

www.develop.eu

Note!

Since changes in technical features are the order of the day in the world of digital copiers and printing technology, please note that the technical data provided in this material was issued in November 2016. We reserve the right to make changes to the technical design. Specifications refer to maximum performance under standard conditions. No guarantee is provided in relation to any of the data supplied.

Your Develop Marketing